

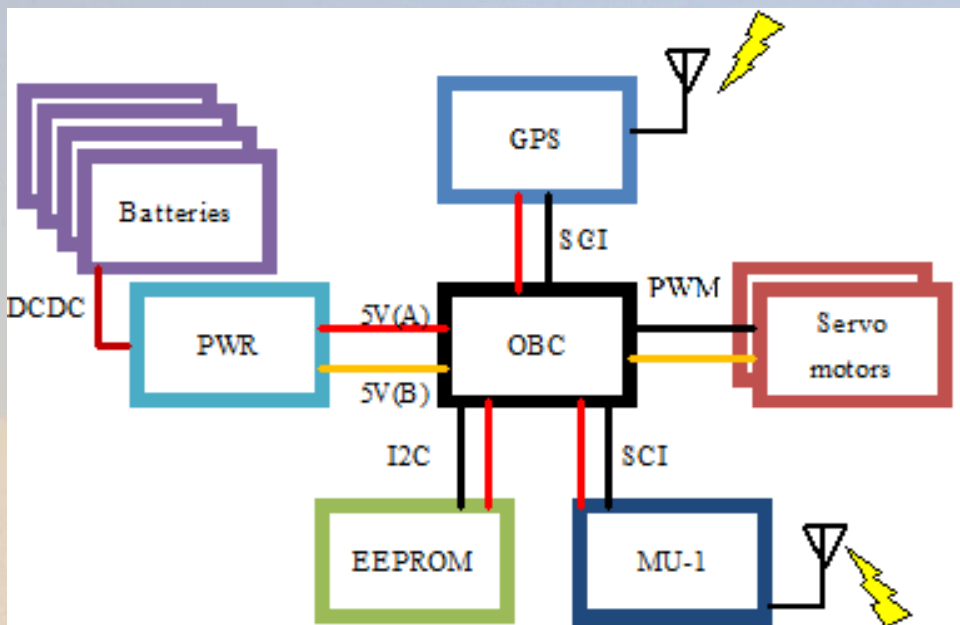
ARLISS2010 Comeback Competition

Tokyo Metropolitan University
Space Systems Laboratory
Ibis Works
Shuheji Toki



About CanSat

- I participated in ARLISS by myself this year.
- The length of CanSat is about half of a carrier.
- The weight of CanSat is 1050g(Maximum weight).



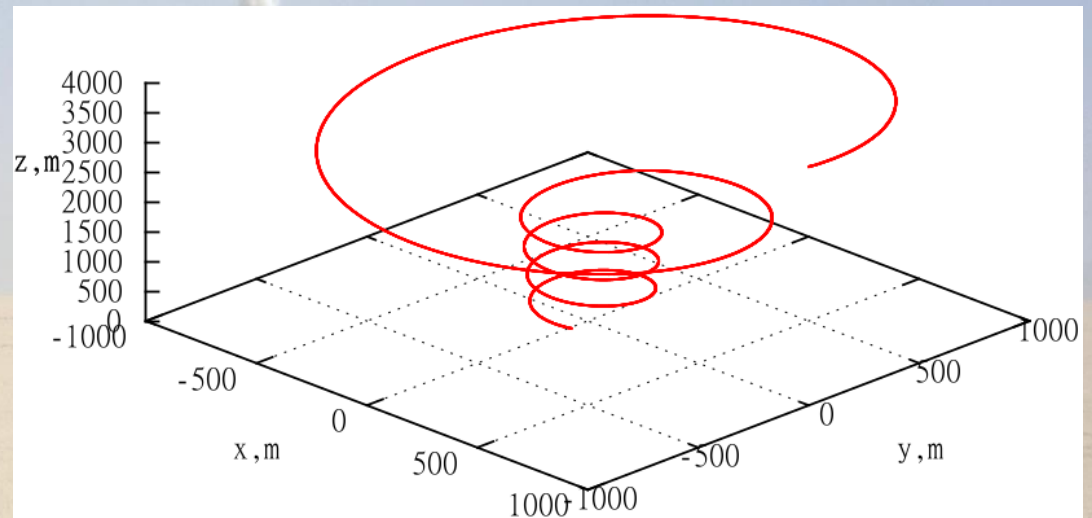
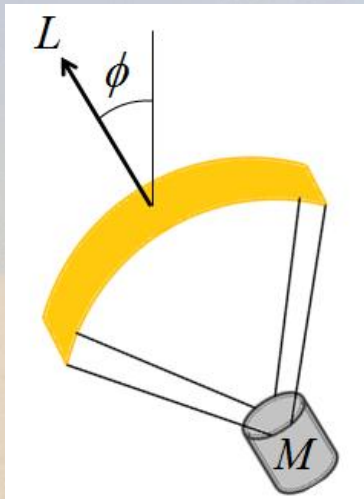
Mission

- I proposed a 3-D controller for CanSat using a parafoil.

Minimum Success is to approach within 1,500m

Full Success is to approach within 1,000m

Advanced Success is to approach within 200m

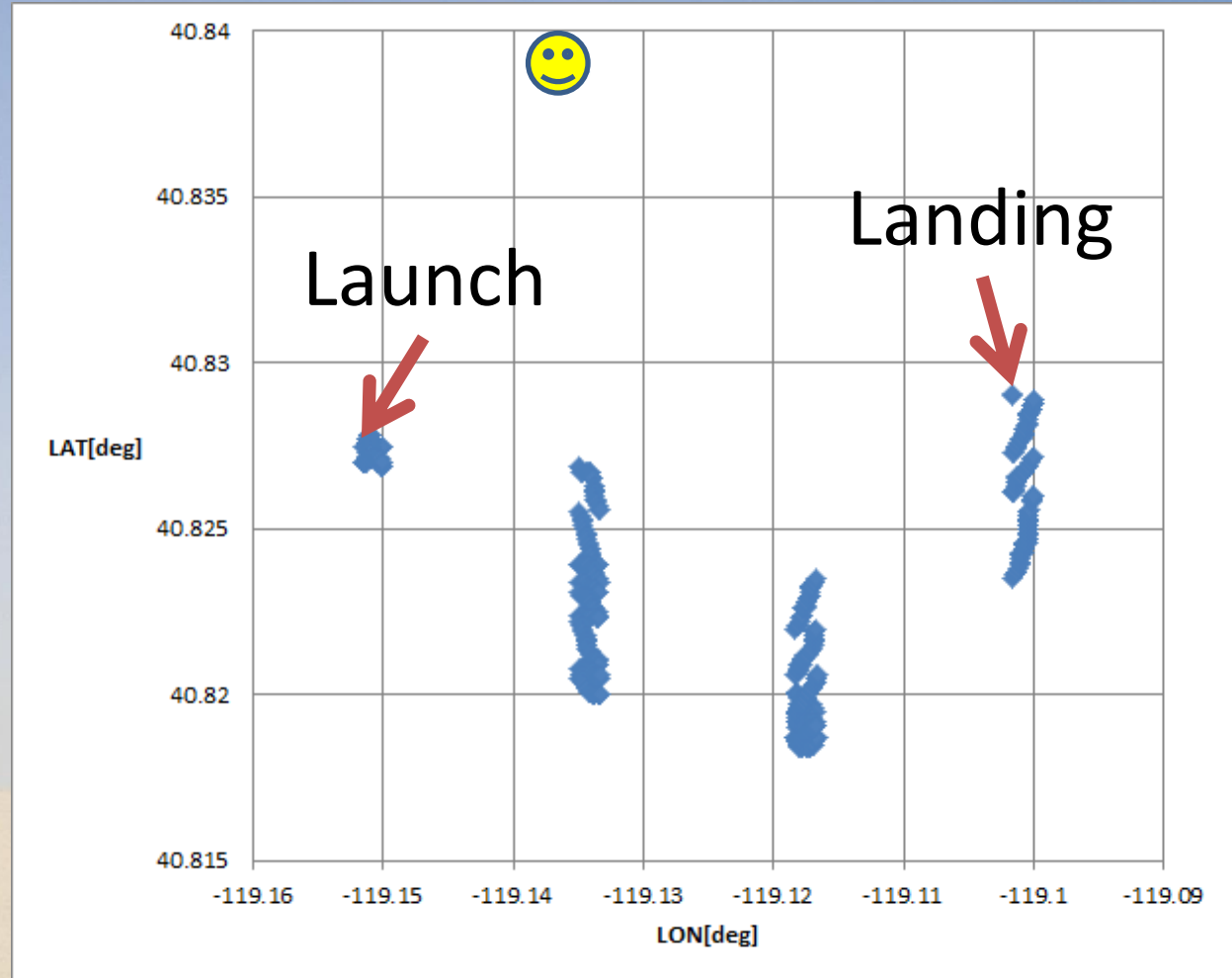


Result of 1st flight

3,580m

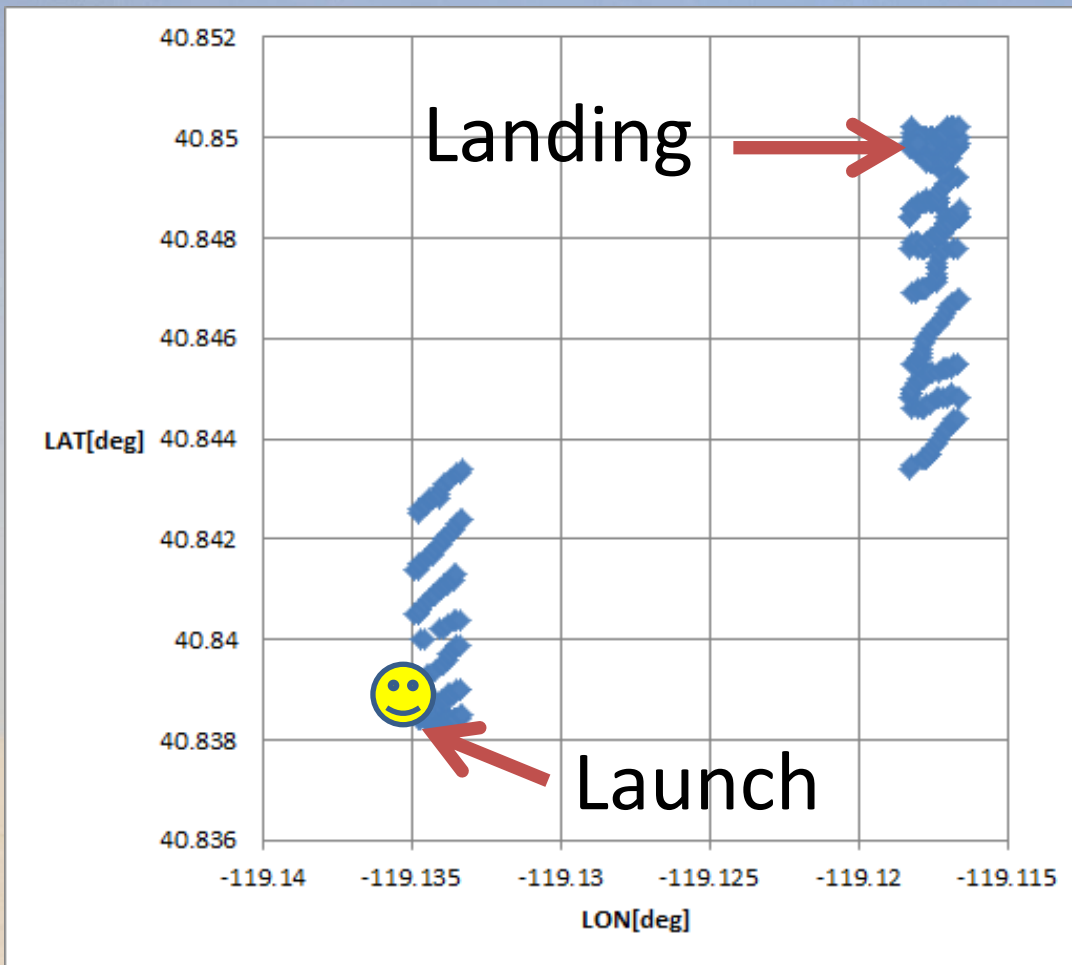


Thank you Dave!



Result of 2nd flight

2,570m



Thank you Dave again!

Special Thanks

- I appreciate everyone's cooperation!!

